

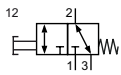
**Technical details**

<b>Connection</b>	G1/8
<b>Nominal size</b>	4 mm
<b>Temperature range</b>	-10°C ... +70°C
<b>Medium</b>	Filtered, oil-free and dried compressed air according to ISO 8573-1:2010, Class 7:2:4, instrument air, free of aggressive additives. Differing the pressure dew point must be at least 10°C below lowest occurring ambient temperature.
<b>Materials</b>	Body: Al (anodized), seals: NBR, inner parts: Al, stainless steel and brass,

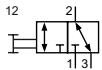


Manually operated spool valve.

**3/2-way-Valves**

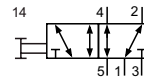


**TK-28-311**  
3/2-way, mechanical spring return, actuator push button



**TK-28-320**  
3/2-way, two positions, actuator pull/push button

**5/2-way-Valves**



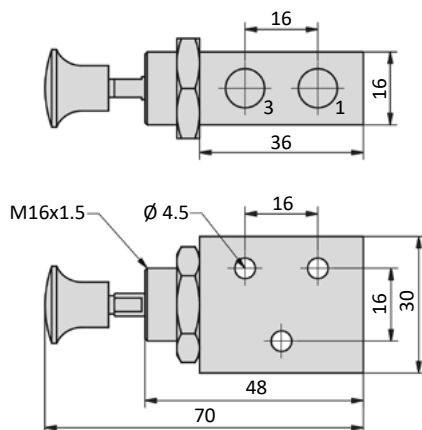
**TK-28-520**  
5/2-way, two positions, actuator pull/push button

**Technical data**

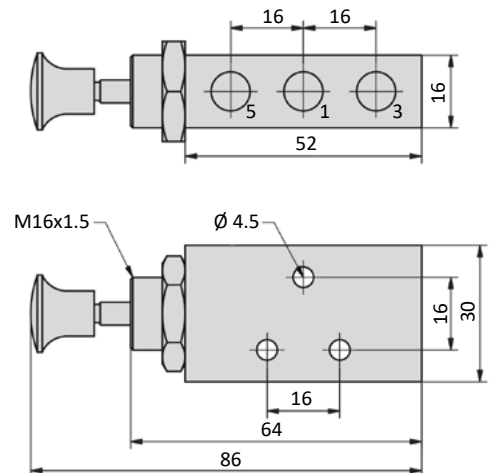
Model-no.:	TK-28-311	TK-28-320	TK-28-520
<b>Operating pressure (bar)</b>	2 ... 10	2 ... 10	2 ... 10
<b>Flow rate (l/min)</b>	500	500	480
<b>Actuating force at 6 bar (N)</b>	11	3	4
<b>Weight (kg)</b>	0.061	0.061	0.078

**Dimensions**

**TK-28-3xx**



**TK-28-520**



- 1 = pressure inlet
- 2,4 = outlets
- 3,5 = exhausts